

Coral Reef

Family fun for years to come!



DESIGNER WALL PATTERN WITH CHAMPAGNE FRAME

- 8" steel top ledges with Texture-Kote™ finish.
- Steel uprights with Texture-Kote™ finish.
- Matching resin foot cover.
- Atlantic's exclusive oval support system:
Gibraltar Buttress-Free or Channel Lok 1

ATLANTIC[™]
ABOVE GROUND POOLS

Coral Reef

Atlantic's Exclusive Support System combines Great Looks and Real Strength

GIBRALTAR BUTTRESS-FREE SYSTEM

The Gibraltar Buttress-Free is an oval pool that does not require angle side supports (buttresses), which take up extra yard space. This unique system delivers unsurpassed structural strength without visible supports, has an attractive streamlined appearance and takes up less valuable yard space. For example, a 15' x 30' oval pool with buttresses requires 21' x 30' once installed. A 15' x 30' Gibraltar oval only requires 15' x 30'. You save 180 square feet of yard space or have enough room for a larger pool.

CHANNEL-LOK I COMPACT-BUTTRESS SYSTEM

The Channel-Lok I Compact-Buttress System requires fewer angled supports (buttresses), yet provides an uncompromised level of strength. With fewer supports, space and side accessibility to the pool is increased while installation time is reduced. This is the only oval system with matching vertical supports. Unlike traditional systems, the Channel-Lok I side verticals match the end verticals for eye-pleasing appeal.



Gain up to 2.5 ft per side.



A vigorous backhoe test is performed prior to the launch of each new pool.

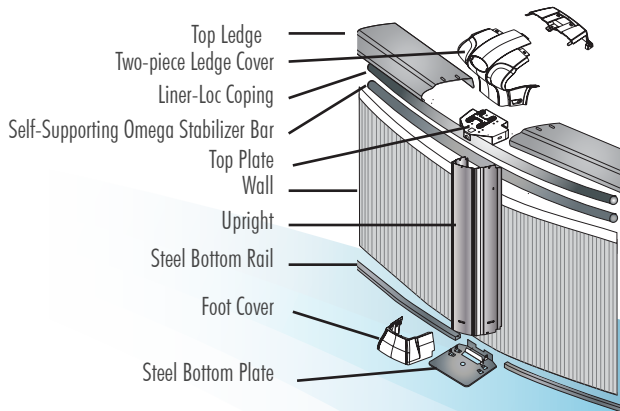


All-Weather Protection for Years of Family Fun

The top ledges and uprights on every Atlantic pool undergo a state-of-the-art protective treatment process. In addition, they are coated with Texture-Kote. This combination provides incredibly long-lasting, all-weather protection with added resistance against corrosion, scratching and damaging UV rays. Atlantic's unique quadra-fold system and bolting pattern provides maximum wall joint strength.

Pool walls are corrugated for increased durability and resistance to ice and impact damage. Only Atlantic pools feature the self-supporting omega stabilizer bar developed to simplify homeowner installation. The ease of assembly has made Atlantic pools the number one choice of many professional installers. Atlantic pools are available in an array of attractive colors and patterns.

FRAME



WALL COATINGS



Best Size for Your Family



ATLANTIC
ABOVE GROUND POOLS

NO DIVING. NO JUMPING. ABOVE GROUND POOLS ARE DESIGNED FOR SWIMMING ONLY. MAINTAIN CONSTANT VIGILANCE WHEN CHILDREN ARE IN OR AROUND THE POOL.

Your above ground pool is designed for years of pleasurable, safe family fun, but it also involves water safety. When used incorrectly, your swimming pool can be dangerous as these pools contain shallow water making diving or jumping unsafe. To insure your above ground pool is used safely, you must observe the safety precautions that are provided to you when you purchase an above ground pool and conform to all local regulations. The dimensions, weights, illustrations and other specifications may not be exact as shown and are approximate. The company reserves the right to modify and/or discontinue without notification any feature in any pool model. ©Copyright 2015 11/10 B300-302A